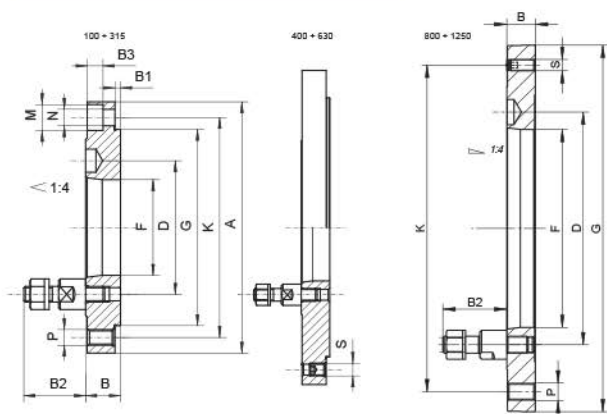


FLANGE PRONTE PER MONTAGGIO
CONTRE-PLATEAUX USINES

8230-X
DIN 55027



Codice Articolo	W*	1:4**	A	B	B1	B2	D	F	G (h4)	K	M	N	P	S	kg
Code Article															
358230011500	100	3	100	22	2,5	34	75,0	51,4	70	83,0	3x13,5	3x8,4	6xM8	-	0,9
358230031900	125	3	125	22	3,5	34	75,0	51,4	95	108,0	3x13,5	3x8,4	6xM8	-	1,6
358230041000	125	4	125	22	3,5	39	85,0	60,9	95	108,0	3x13,5	3x8,4	6xM8	-	1,4
358230061400	160	3	160	22	3,5	34	70,6	51,4	125	140,0	6x16,5	6x10,5	6xM10	-	2,6
358230071600	160	4	160	22	3,5	39	85,0	60,9	125	140,0	6x16,5	6x10,5	6xM10	-	2,5
358230082000	160	5	160	22	3,5	43	104,8	79,5	125	140,0	6x16,5	6x10,5	6xM10	-	2,2
358230083300	160	6	160	22	3,5	50	133,4	103,0	125	140,0	6x16,5	6x10,5	6xM10	-	1,9
358230089000	200	3	200	22	3,5	34	70,6	51,4	160	176,0	6x16,5	6x10,5	6xM10	-	4,2
358230091000	200	4	200	22	3,5	39	85,0	60,9	160	176,0	6x16,5	6x10,5	6xM10	-	4,1
358230111600	200	5	200	22	3,5	43	104,8	79,5	160	176,0	6x16,5	6x10,5	6xM10	-	3,9
358230121800	200	6	200	22	3,5	50	133,4	103,0	160	176,0	6x16,5	6x10,5	6xM10	-	3,6
358230151300	250	5	250	28	4,5	43	104,8	79,5	200	224,0	6x19,0	6x13,0	6xM12	-	8,1
358230161500	250	6	250	28	4,5	50	133,4	103,0	200	224,0	6x19,0	6x13,0	6xM12	-	7,6
358230171700	250	8	250	28	4,5	60	171,4	136,1	200	224,0	6x19,0	6x13,0	6xM12	-	6,7
358230201500	315	6	315	33	4,5	50	133,4	103,0	260	286,0	6x25,0	6x17,0	6xM16	-	15,1
358230211700	315	8	315	33	4,5	60	171,4	136,1	260	286,0	6x25,0	6x17,0	6xM16	-	14,0
358230221900	315	11	315	33	4,5	75	235,0	192,8	260	286,0	6x25,0	6x17,0	6xM16	-	12,2
358230241200	400	6	400	36	4,5	50	133,4	103,0	330	362,0	6x25,0	6x17,0	6xM16	3xM16	28,2
358230251400	400	8	400	36	4,5	60	171,4	136,1	330	362,0	6x25,0	6x17,0	6xM16	3xM16	26,9
358230261600	400	11	400	36	4,5	75	235,0	192,8	330	362,0	6x25,0	6x17,0	6xM16	3xM16	24,7
358230301600	500	8	500	36	4,5	60	171,4	136,1	420	458,0	6x25,0	6x17,0	6xM16	3xM16	44,3
358230311800	500	11	500	36	4,5	75	235,0	192,8	420	458,0	6x25,0	6x17,0	6xM16	3xM16	42,1
358230321000	500	15	500	36	4,5	90	330,2	281,4	420	458,0	6x25,0	6x17,0	6xM16	3xM16	35,7
358230341300	630	8	630	42	6,0	60	171,4	136,1	545	586,0	6x25,0	6x17,0	6xM16	3xM16	84,8
358230351500	630	11	630	42	6,0	75	235,0	192,8	545	586,0	6x25,0	6x17,0	6xM16	3xM16	81,9
358230361700	630	15	630	42	6,0	90	330,2	281,4	545	586,0	6x25,0	6x17,0	6xM16	3xM16	74,0
358230382300	800	11	-	45	-	75	235,0	192,8	450	368,3	-	-	12xM24	3xM16	43,0
358230384900	800	15	-	45	-	90	330,2	281,4	380	330,2	-	-	6xM24	3xM16	23,3
358230385100	800	15	-	45	-	90	330,2	281,4	450	368,3	-	-	6xM24	3xM16	32,3

* W - Ø di mandrino - Ø du mandrin

** 1:4 - Cono corto - Cône court