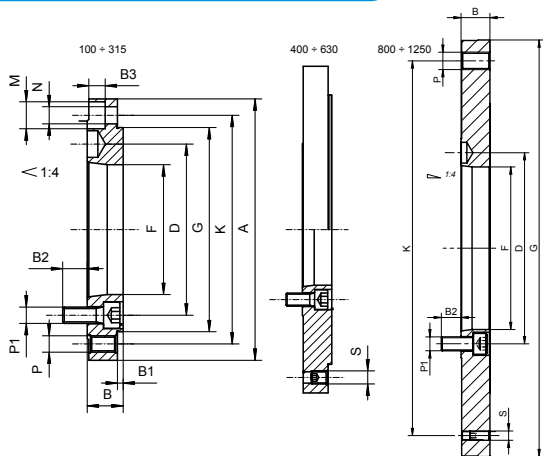


FLANGE PRONTE PER MONTAGGIO
CONTRE-PLATEAUX USINES

8210-X
DIN 55026



Code Article	W*	1:4**	A	B	B1	B2	B3	D	F	G (h6)	K	M	N	P	P1	S	kg
358210540800	125	3	125	22	3,5	14,0	10	70,6	51,4	95	108,0	3x13,5	3x8,4	3xM8	3xM10	-	1,4
358210570300	160	4	160	22	3,5	15,0	10	82,6	60,9	125	140,0	6x16,5	6x10,5	3xM10	6xM10	-	2,2
358210580500	160	5	160	22	3,5	15,0	10	104,8	79,5	125	140,0	6x16,5	6x10,5	3xM10	6xM10	-	1,9
358210650000	200	5	200	22	3,5	15,0	10	104,8	79,5	160	176,0	6x16,5	6x10,5	3xM10	6xM10	-	3,6
358210660200	200	6	200	22	3,5	21,0	10	133,4	103,0	160	176,0	6x16,5	6x10,5	3xM10	6xM12	-	3,1
358210710400	250	5	250	28	4,5	12,0	12	104,8	79,5	200	224,0	6x19,0	6x13,0	3xM12	6xM10	-	7,7
358210720600	250	6	250	28	4,5	19,0	12	133,4	103,0	200	224,0	6x19,0	6x13,0	3xM12	6xM12	-	7,1
358210730800	250	8	250	28	4,5	24,0	12	171,4	136,1	200	224,0	6x19,0	6x13,0	3xM12	6xM16	-	5,9
358210770500	315	6	315	33	4,5	19,0	16	133,4	103,0	260	286,0	6x25,0	6x17,0	3xM16	6xM12	-	14,6
358210780700	315	8	315	33	4,5	22,0	16	171,4	136,1	260	286,0	6x25,0	6x17,0	3xM16	6xM16	-	13,2
358210791100	315	11	315	38	4,5	32,0	-	235,0	192,8	260	286,0	-	-	6xM16	6xM20	-	12,0
358210810500	400	8	400	36	4,5	20,0	16	171,4	136,1	330	362,0	6x25,0	6x17,0	6xM16	6xM16	3xM16	26,0
358210821000	400	11	400	36	4,5	30,0	17	235,0	192,8	330	362,0	6x25,0	6x17,0	6xM16	6xM20	3xM16	22,5
358210830900	500	8	500	36	4,5	20,0	16	171,4	136,1	420	458,0	6x25,0	6x17,0	6xM16	6xM16	3xM16	43,4
358210841300	500	11	500	36	4,5	30,0	16	235,0	192,8	420	458,0	6x25,0	6x17,0	6xM16	6xM20	3xM16	39,9
358210851500	500	15	500	36	4,5	32,0	16	330,2	281,4	420	458,0	6x25,0	6x17,0	6xM16	6xM24	3xM16	31,6
358210871900	630	11	630	42	6,0	24,0	19	235,0	192,8	545	586,0	6x25,0	6x17,0	6xM16	6xM20	3xM16	79,7
358210881000	630	15	630	42	6,0	36,0	19	330,2	281,4	545	586,0	6x25,0	6x17,0	6xM16	6xM24	3xM16	79,1
358210907300	800	15	-	40	-	36	-	330,2	281,4	380	330,2	-	-	11xM24	6xM24	-	13,7
358210903200	800	15	-	48	-	34	-	330,2	281,4	450	368,3	-	-	8xM24	8xM24	3xM24	31,3
358210911900	1000	15	-	45	-	35	-	330,2	281,4	520	463,6	-	-	6xM24	8xM24	3xM16	44,6

* W - Ø di mandrino • Ø du mandrin

** 1:4 - Cono corto • Cône court